

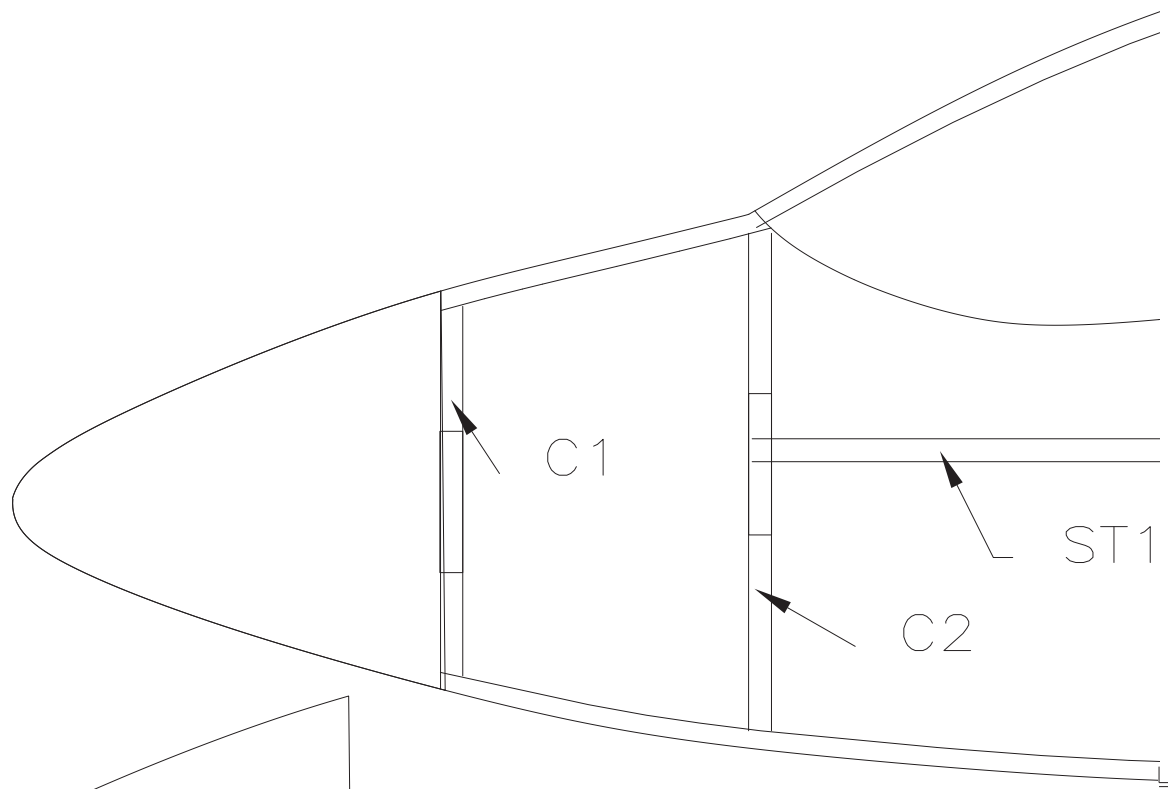


QUARK

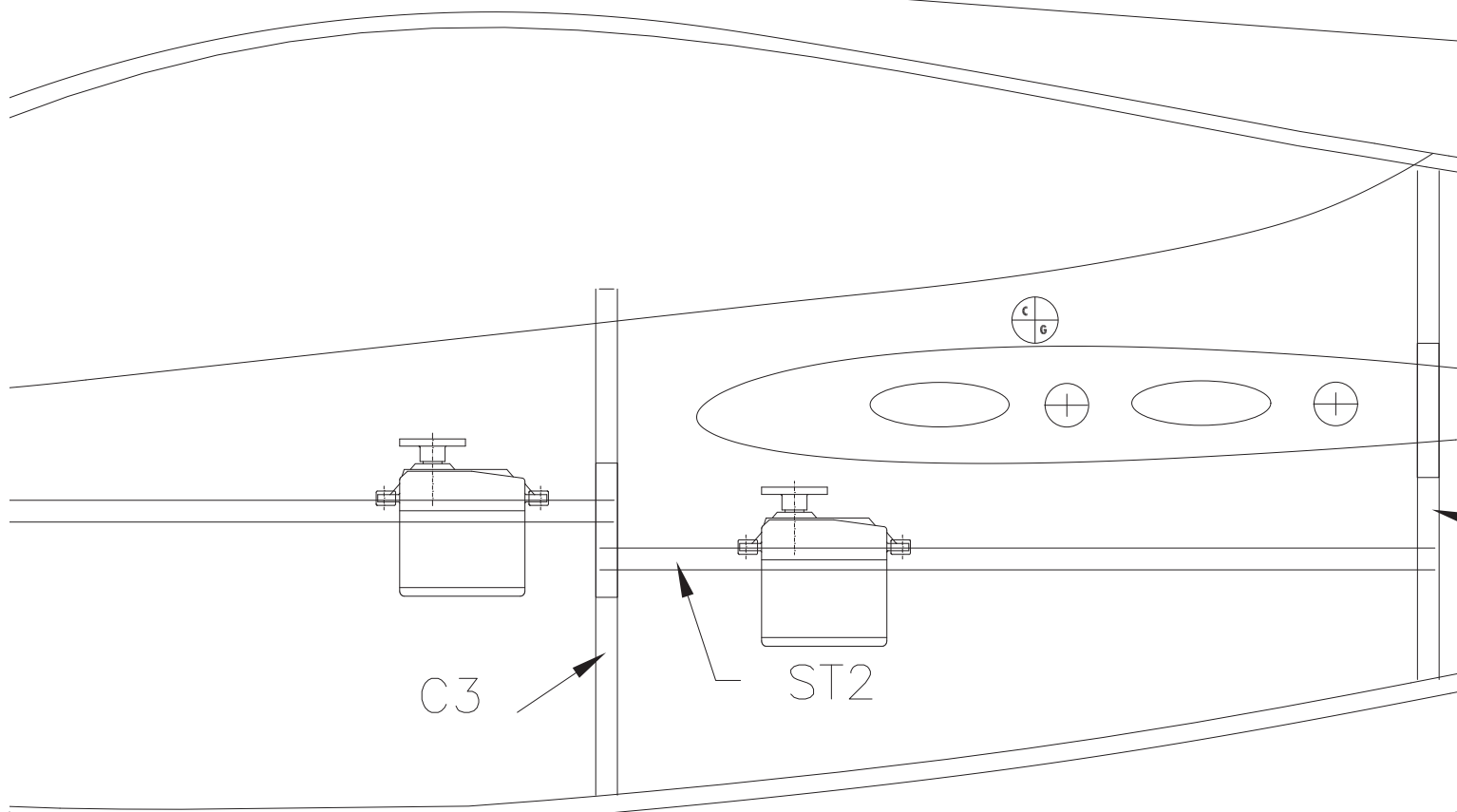
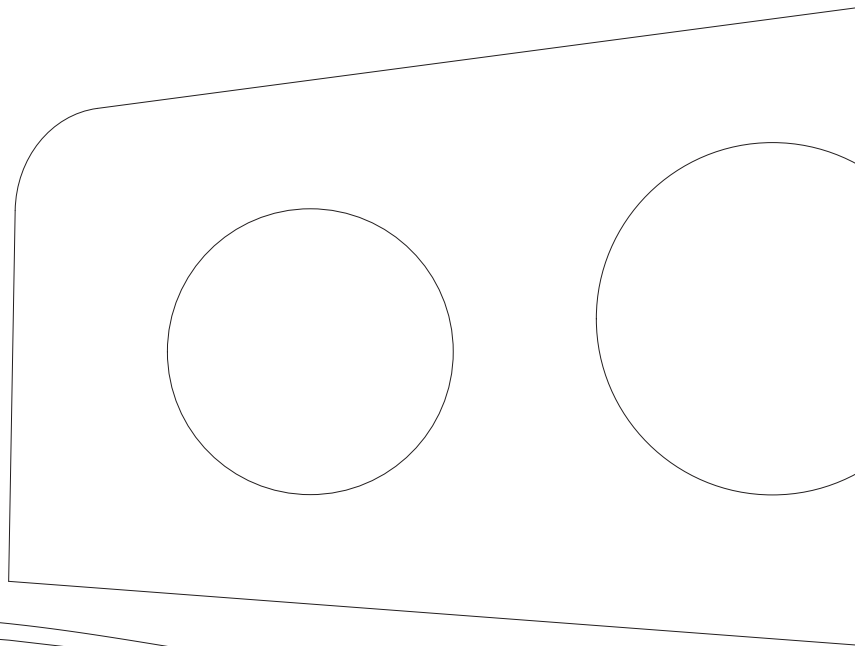
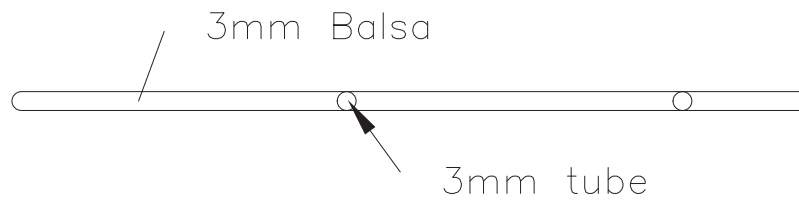
Micro Aerobatic G

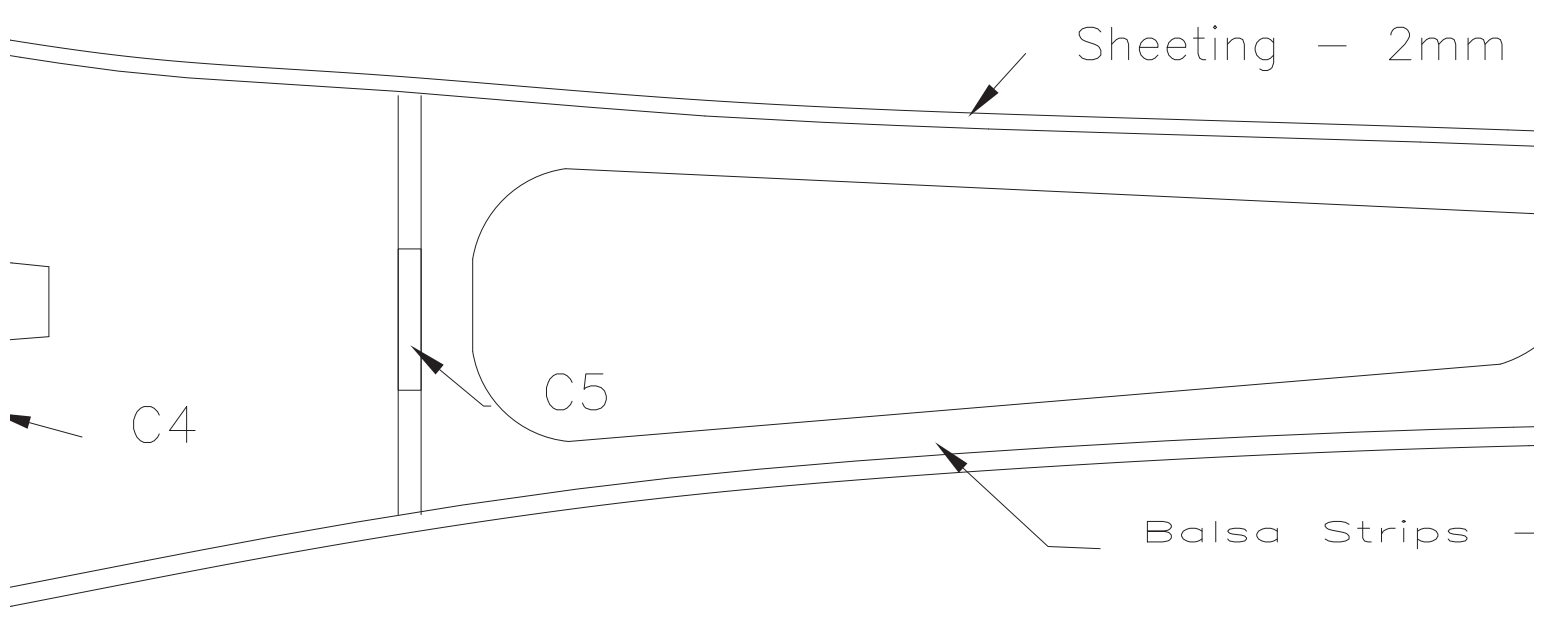
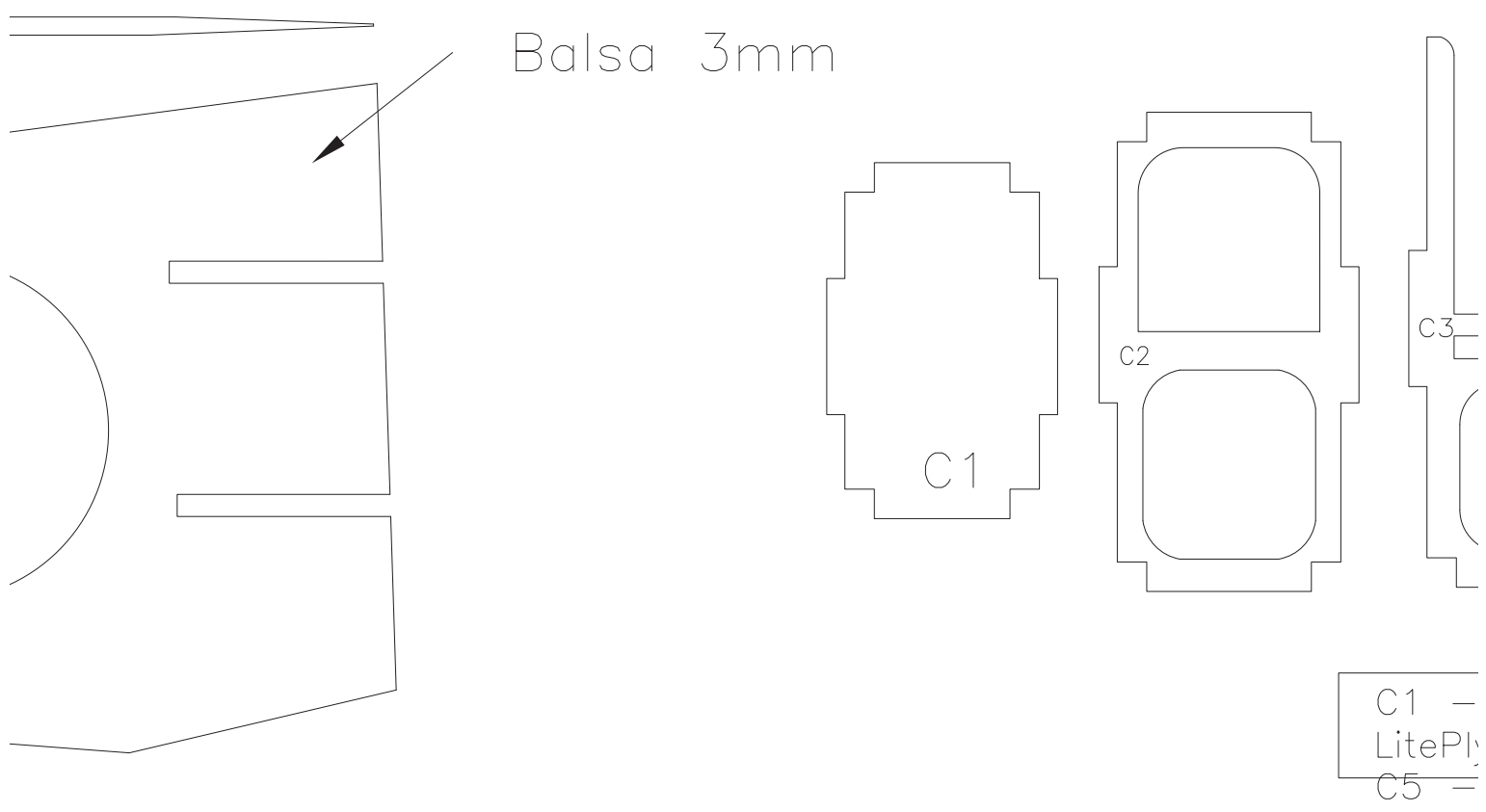
WingSpan : 1200mm
Fuselage : 812mm
Profiles : SB96V - 96VS

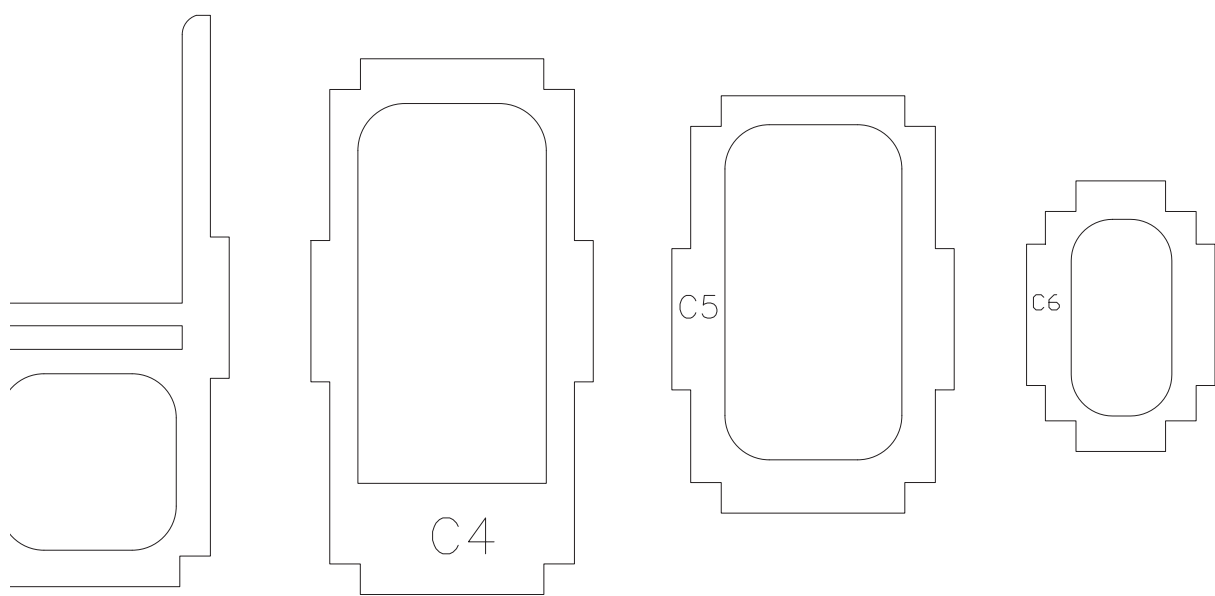
(c) Fred Marie / GliderIreland.net
No Reproduction without author's c



MiCRO
slider
- 2011
consent







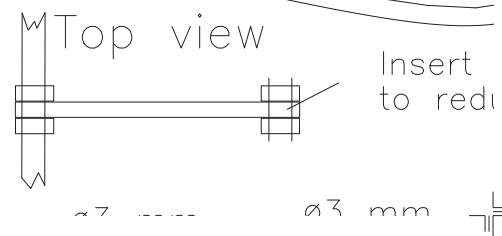
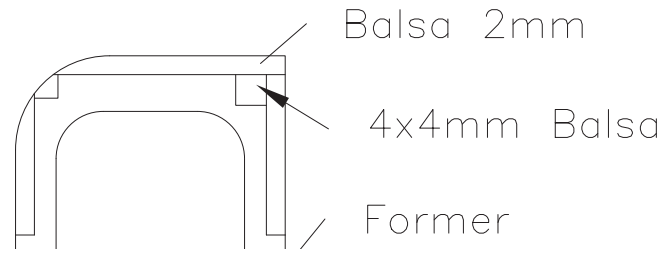
- 2 - 3 - 4 - 3mm
 y
 - 6 - 3mm Balsa

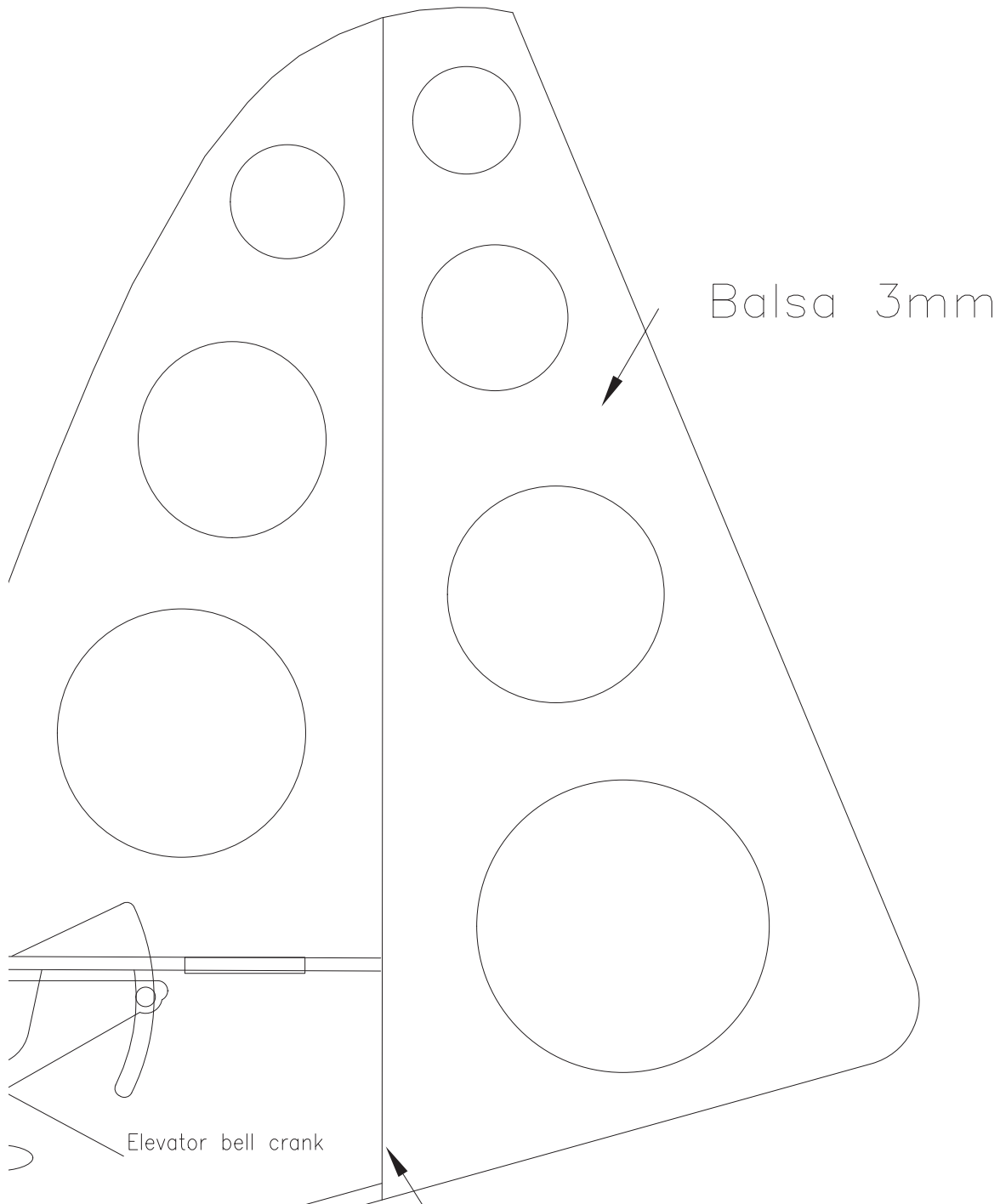
3mm Balsa

balsa



- 4x4mm





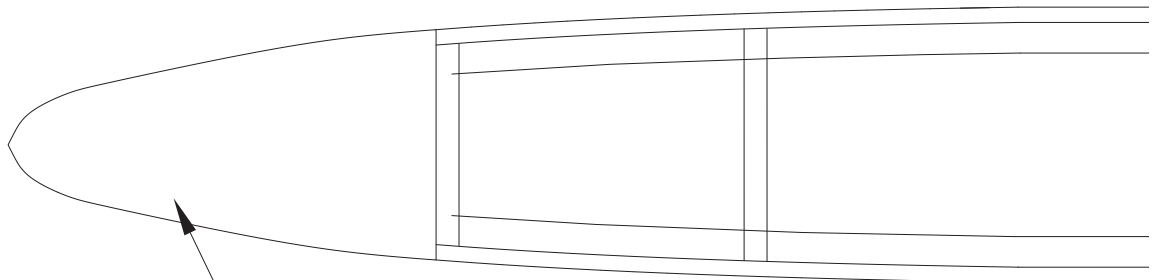
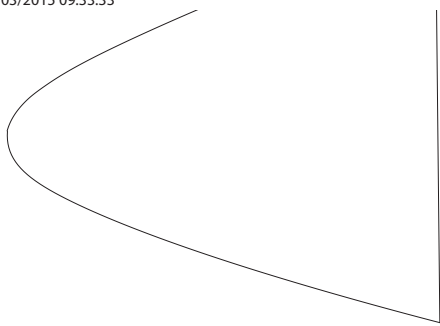
Balsa 3mm

Elevator bell crank

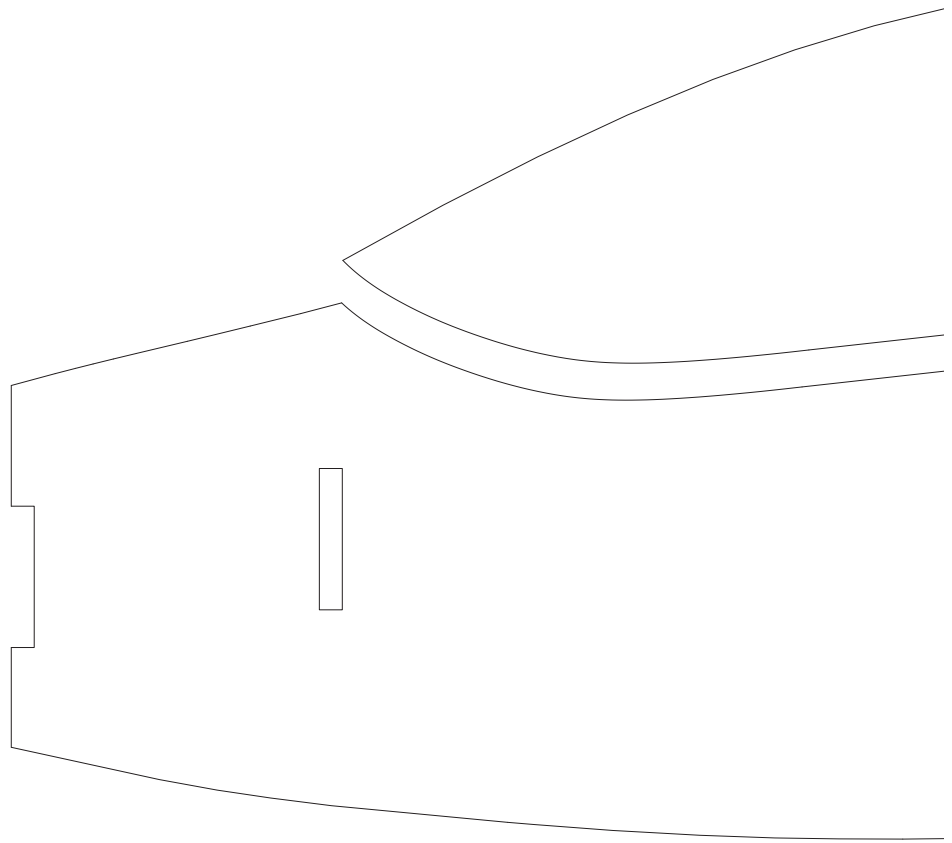
Carbone tube - 3mm OD
Glued along rudder post

piece of tube
use wear and play



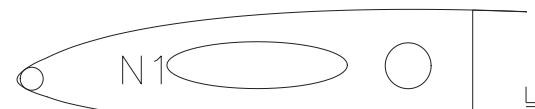


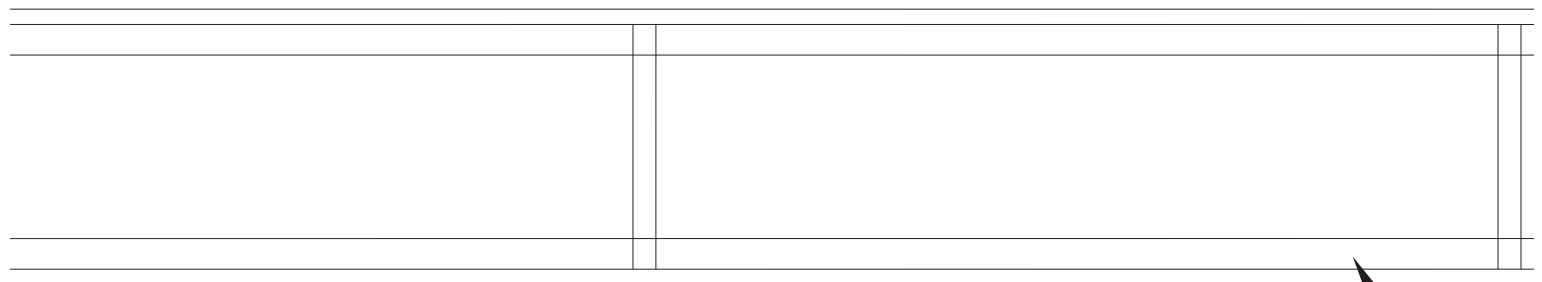
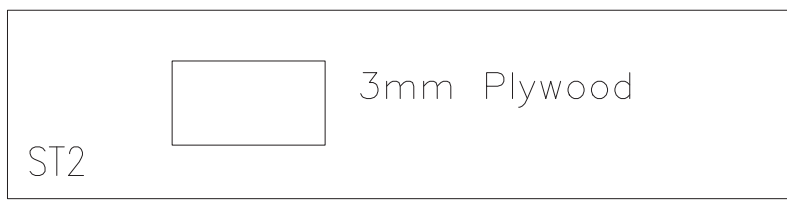
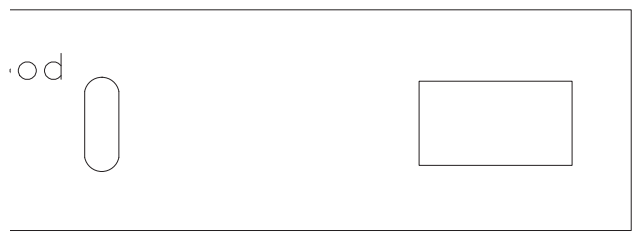
Balsa bloc or laminated balsa



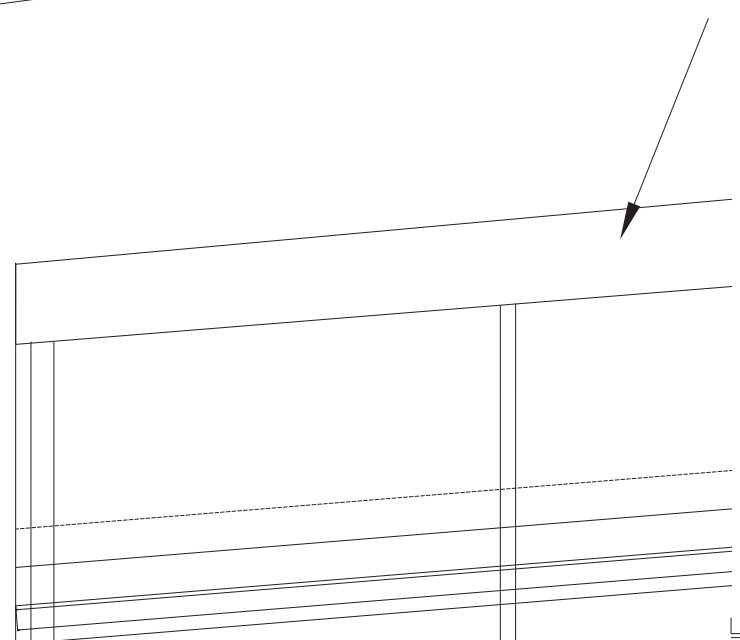
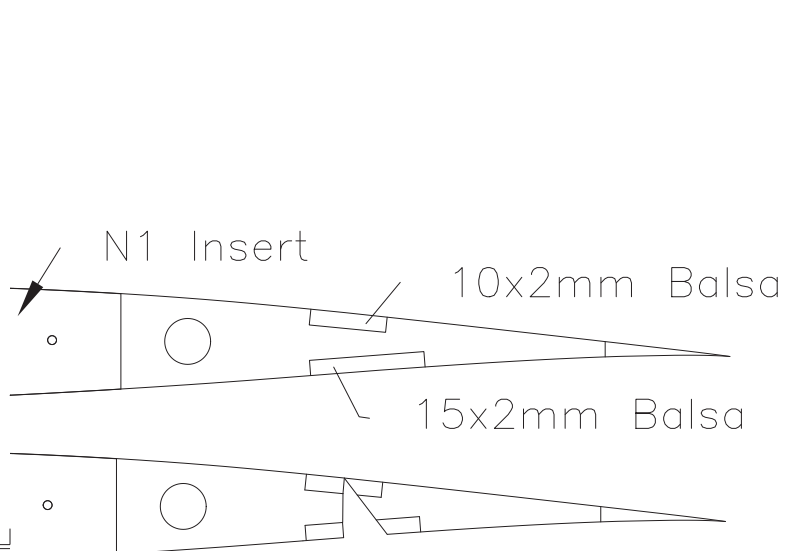
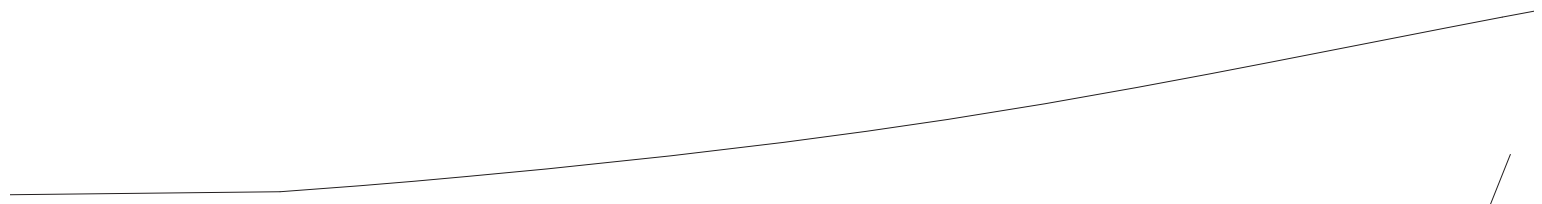
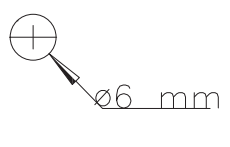
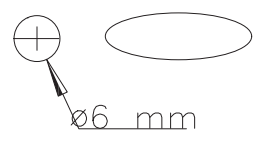
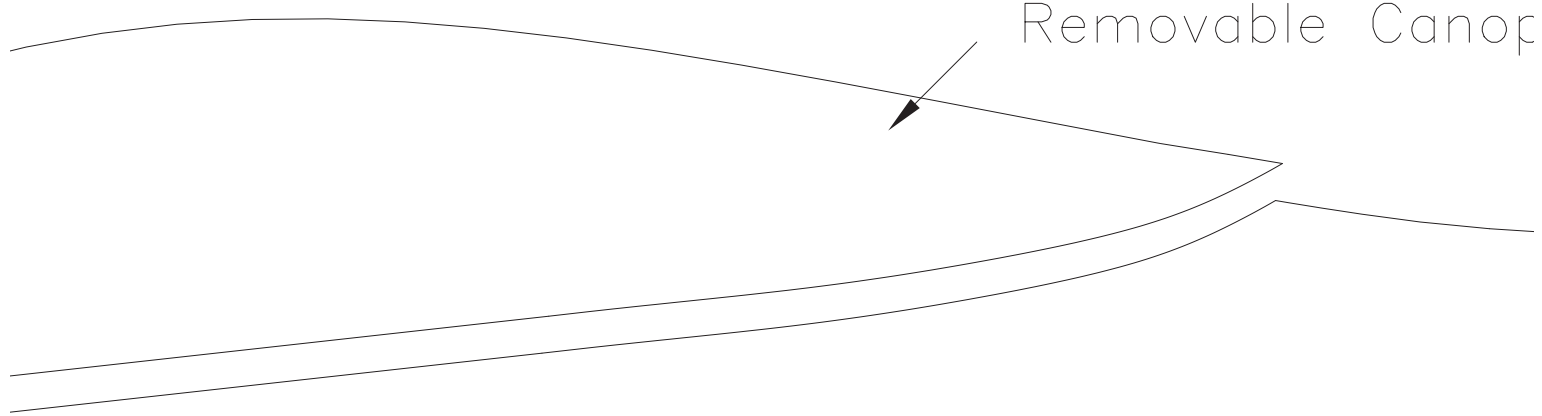
3mm carbone tube/rod

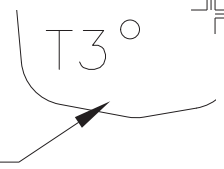
6mm tube



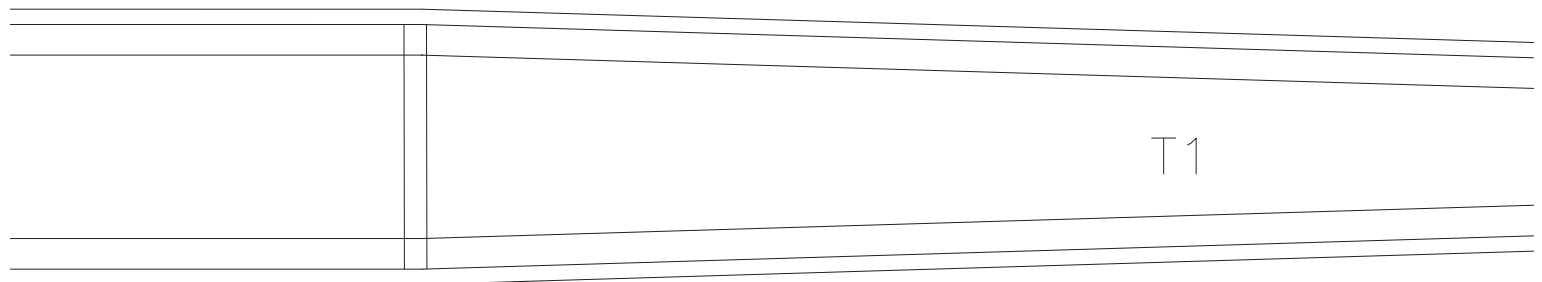


sa Bal





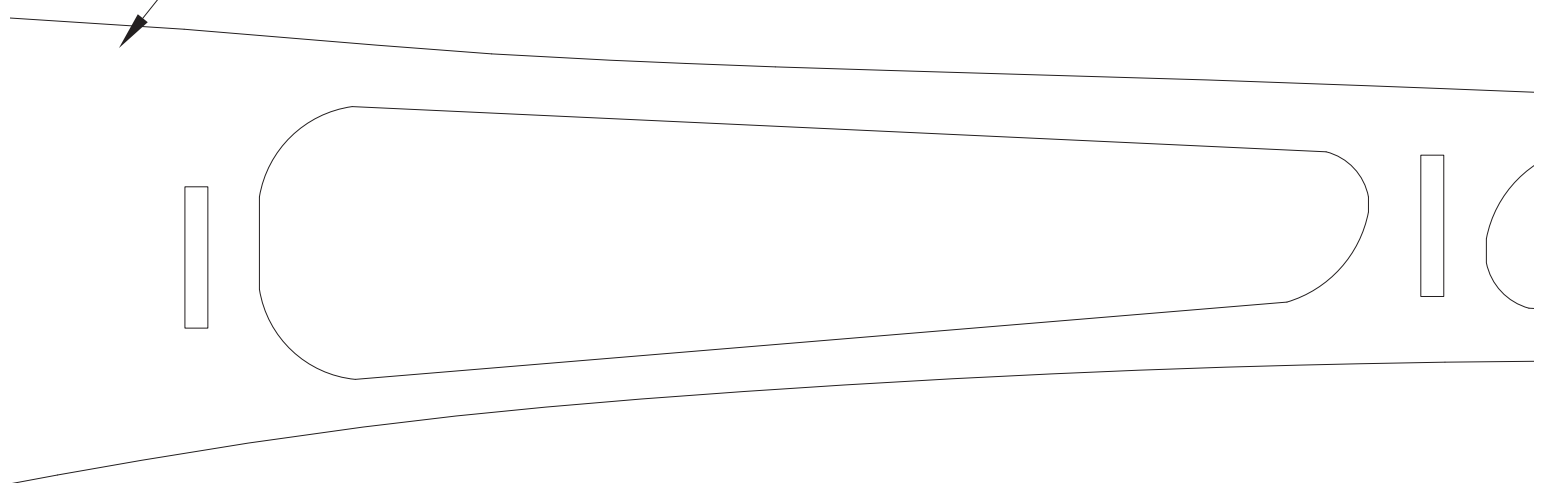
T2 - 2mm Plywood



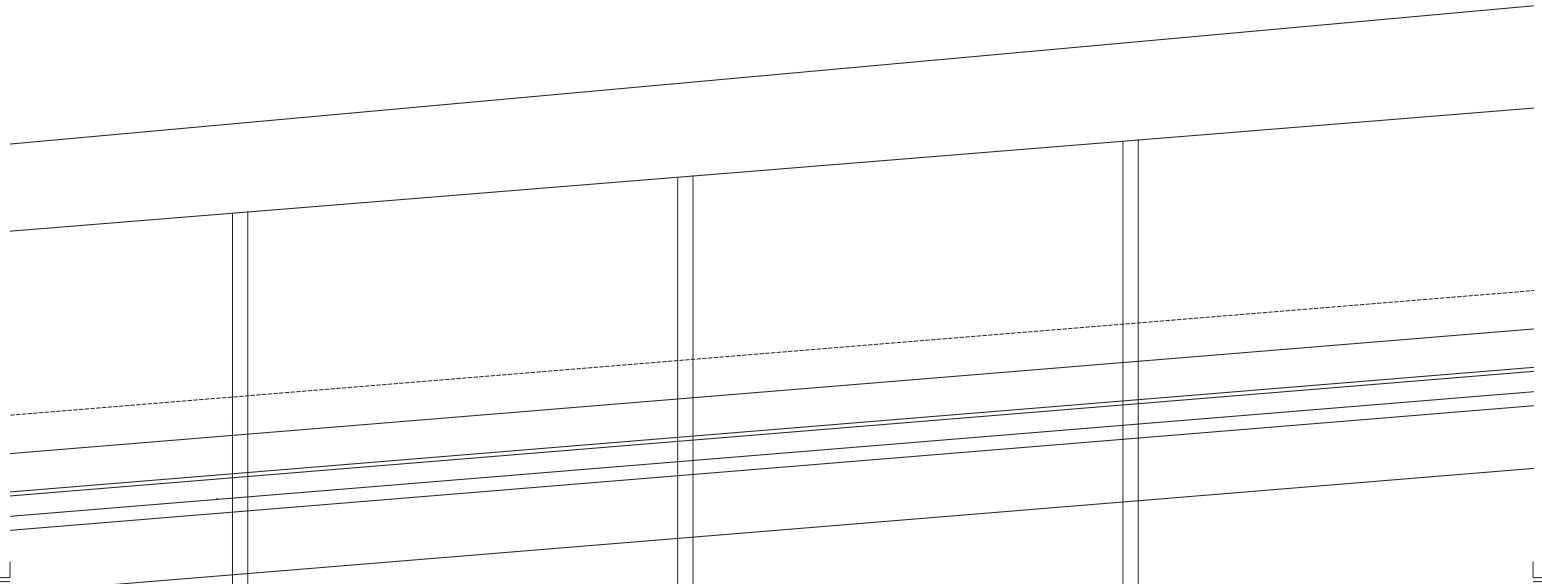
Isa 4x4

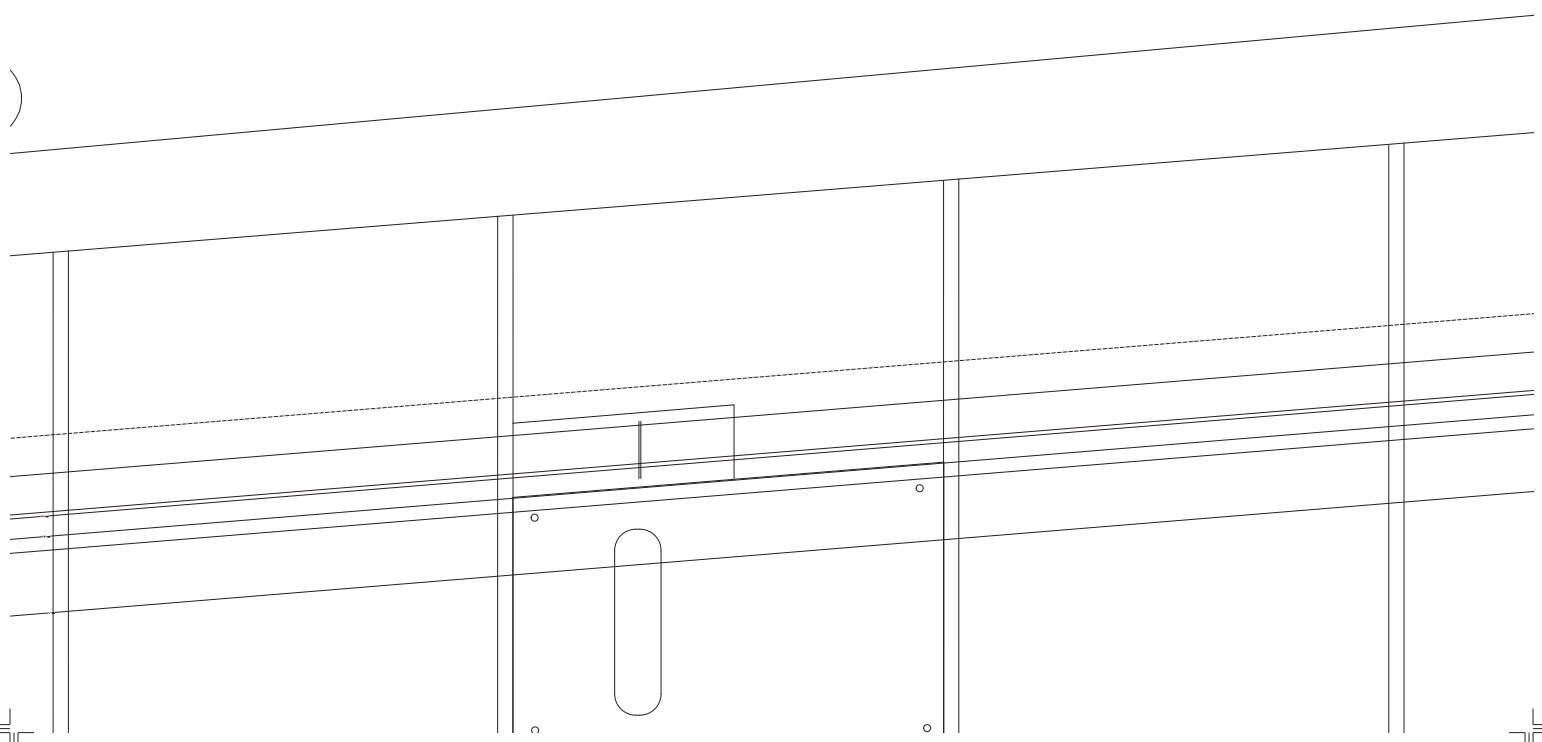
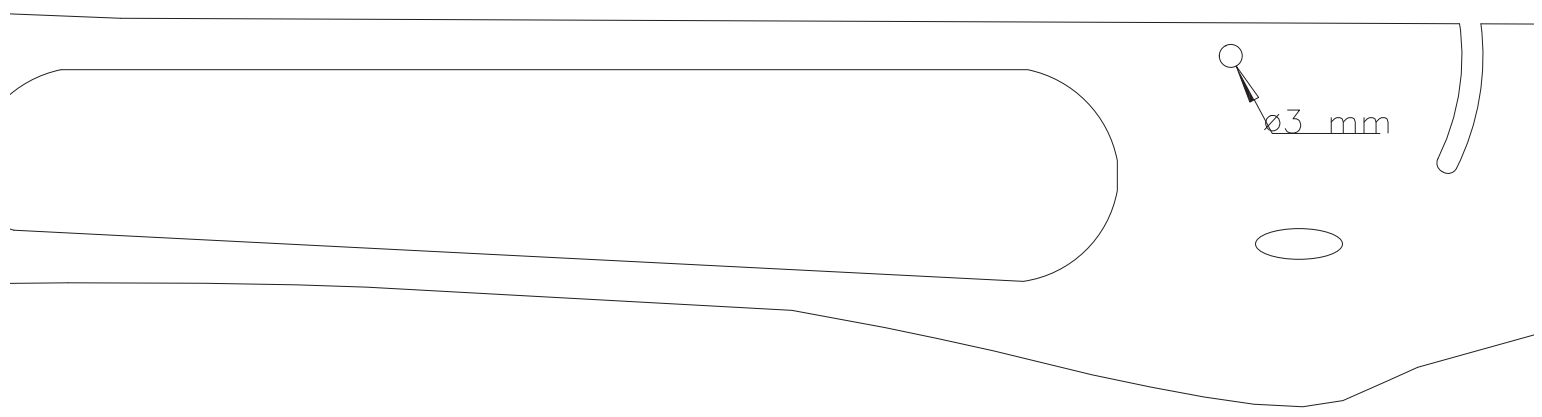
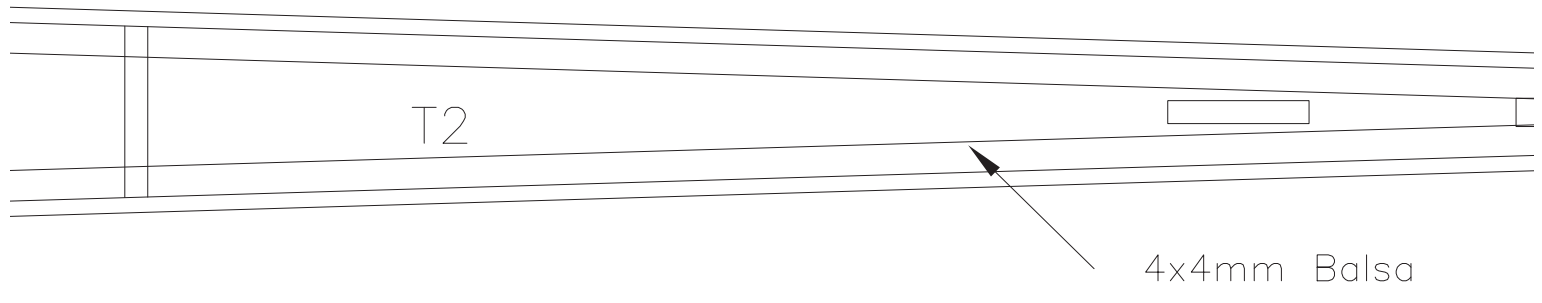
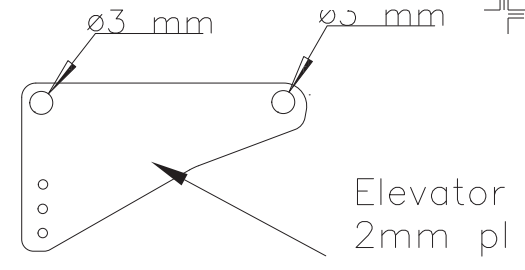
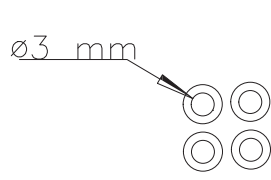
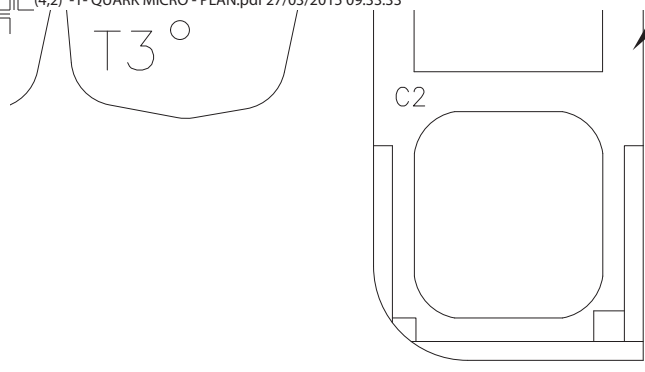
oy - 2mm Balsa

Balsa 2mm

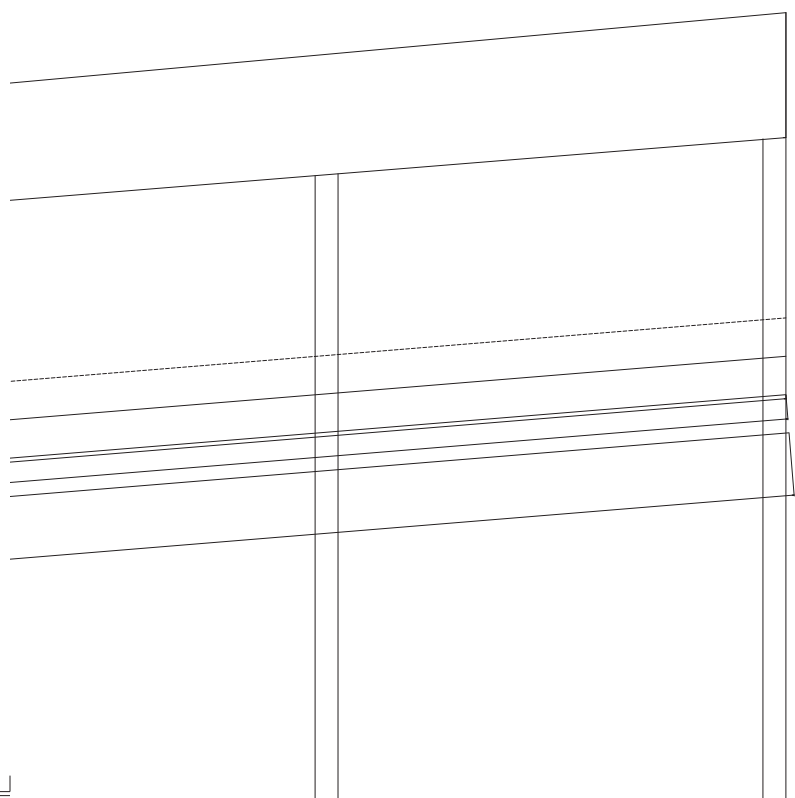
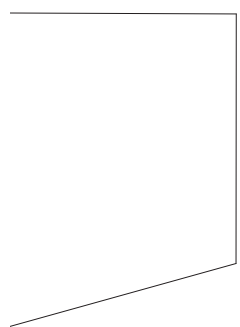
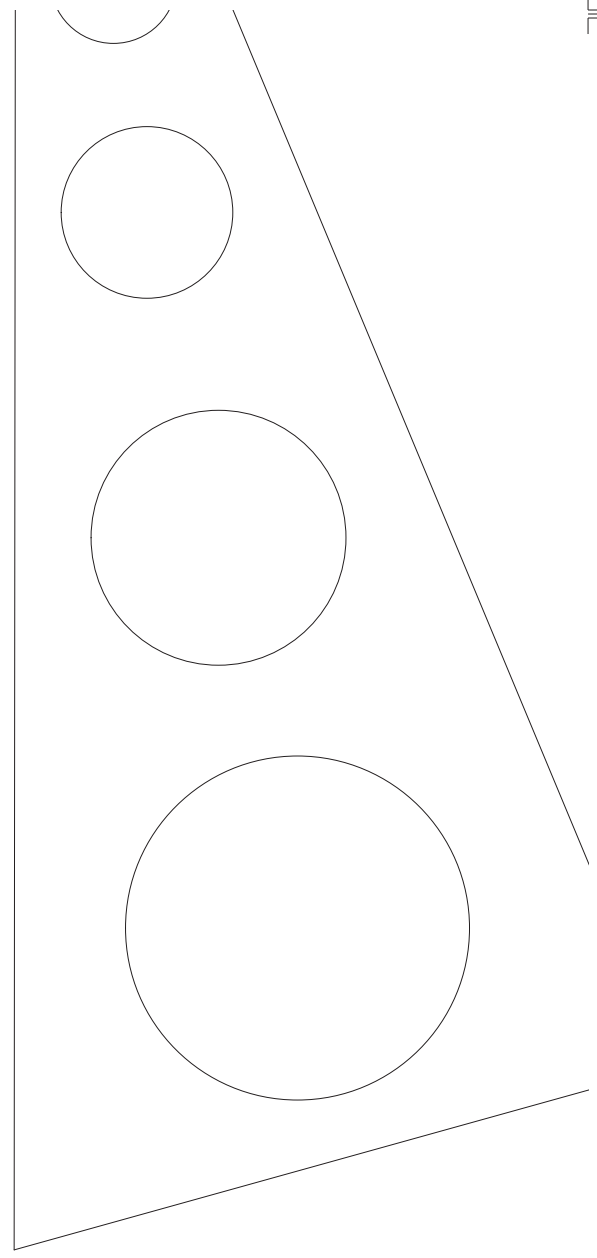
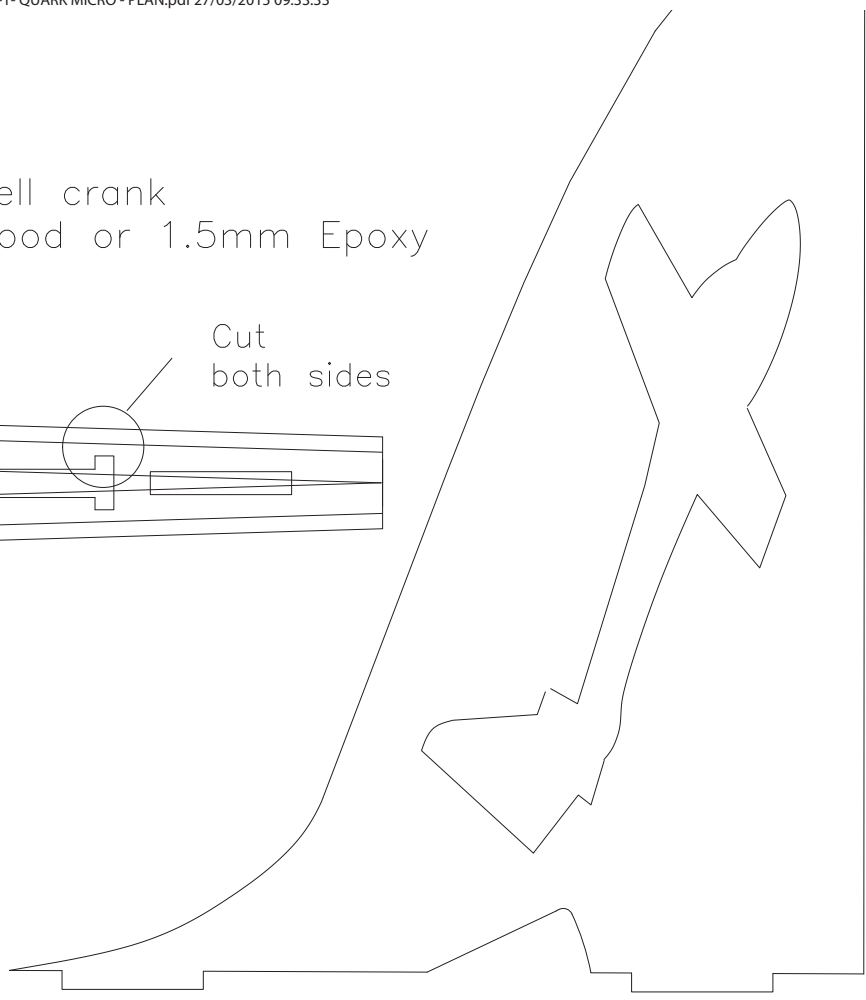
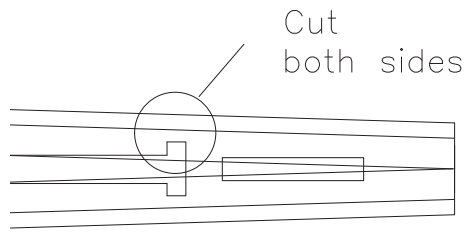


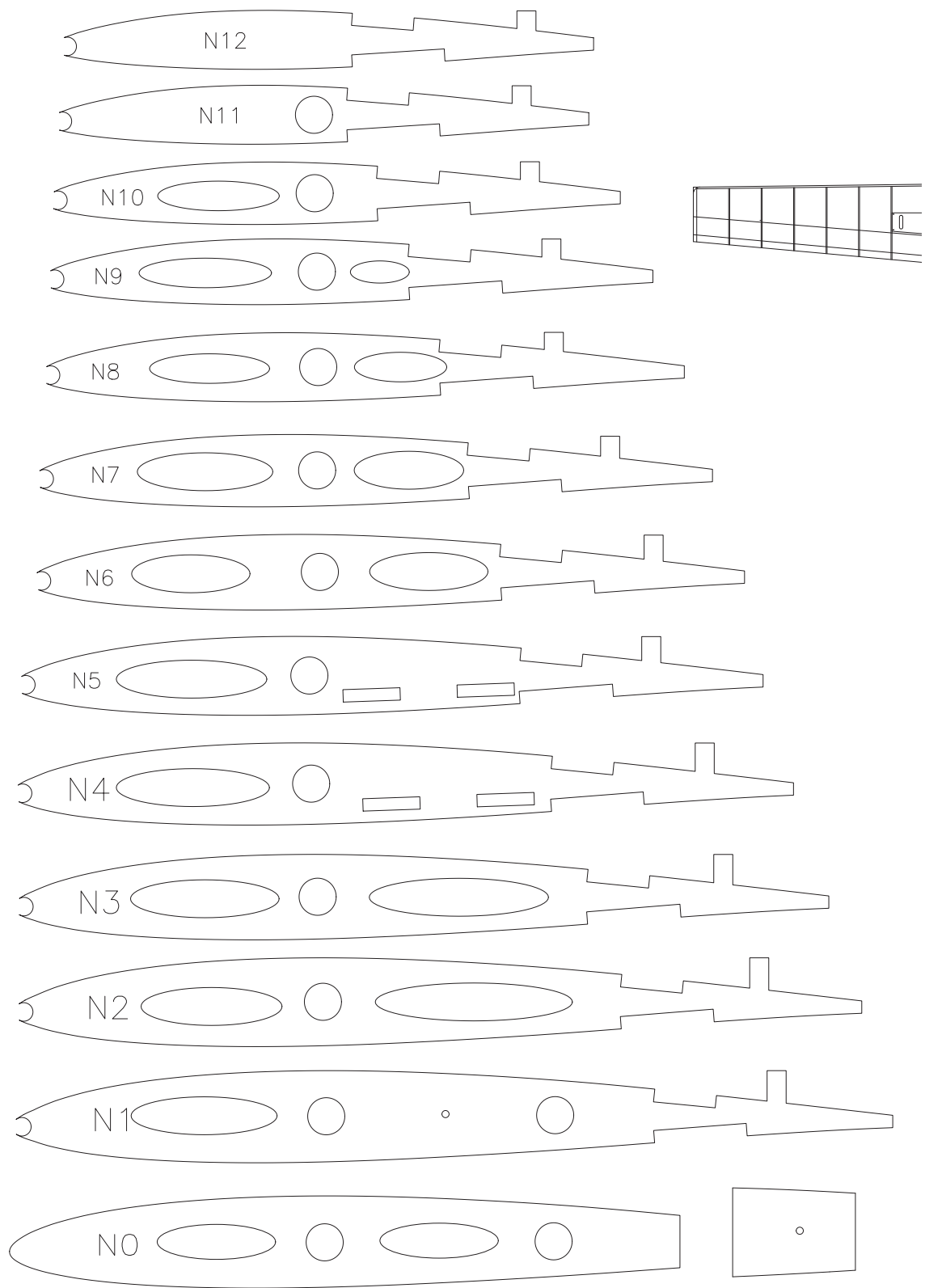
TE - 2mm balsa (shown here without notches)



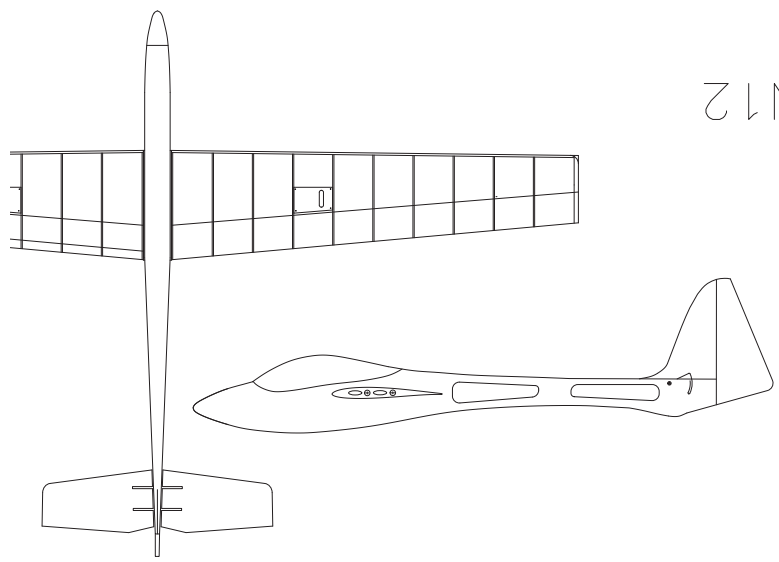


- bell crank
lywood or 1.5mm Epoxy

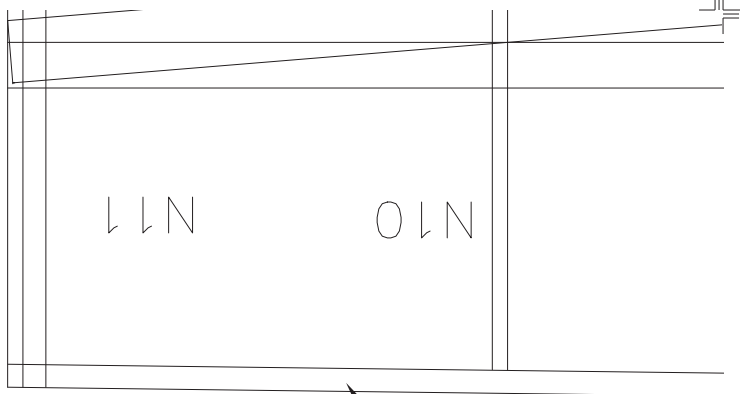




N0 – N1 – N2 and N11 --> 3mm Lite
All other ribs in 2mm Balsa

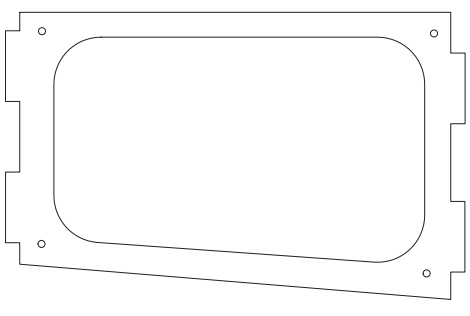
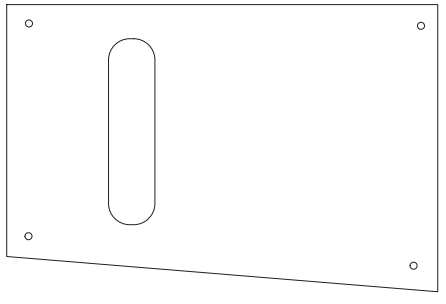
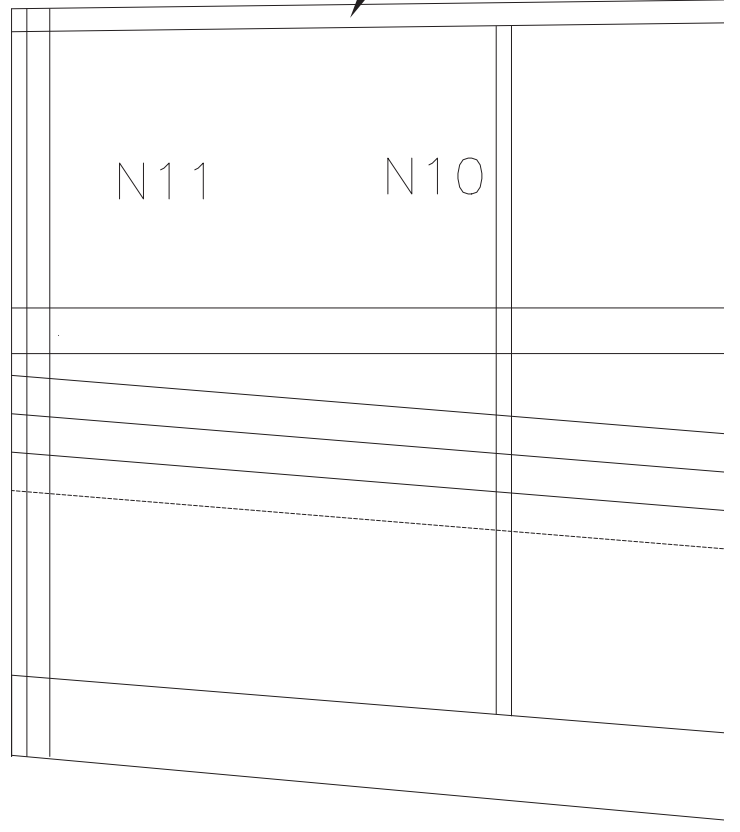


N12



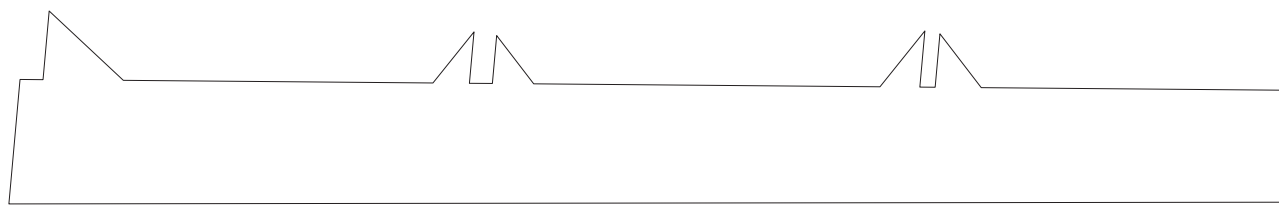
LE - 3m

N12



Servo frame and support in 2mm plywood

ply



6N

8N

7N

9N

mm carbone tube

N9

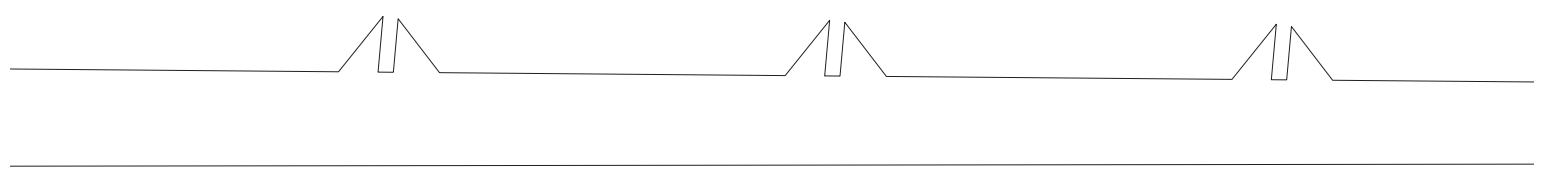
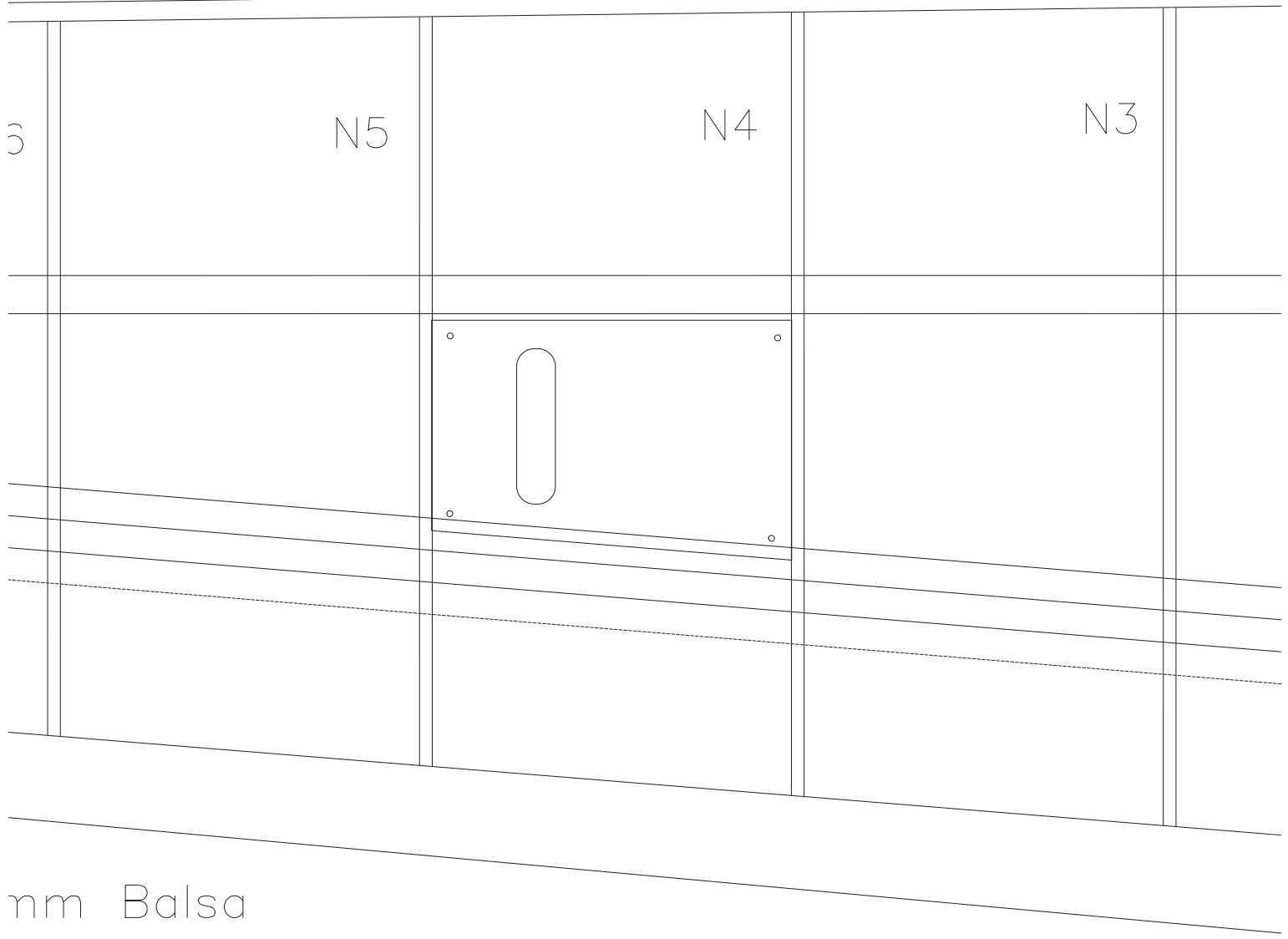
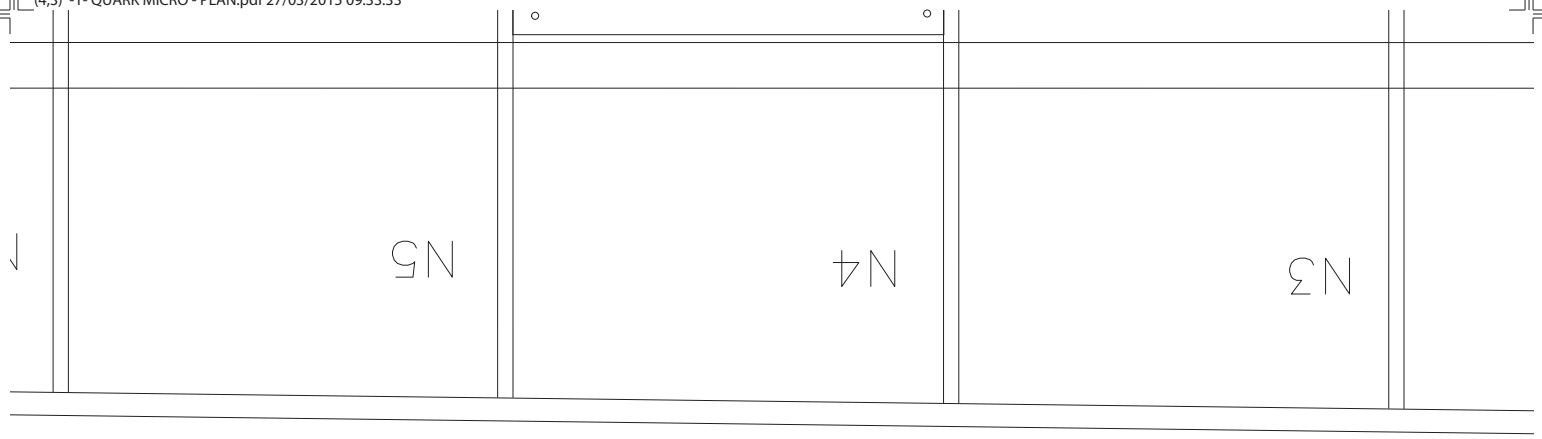
N8

N7

N6

TE - 2r





N2

N1

N2

N1

N1 insert

N1 insert
3mm Plywood

